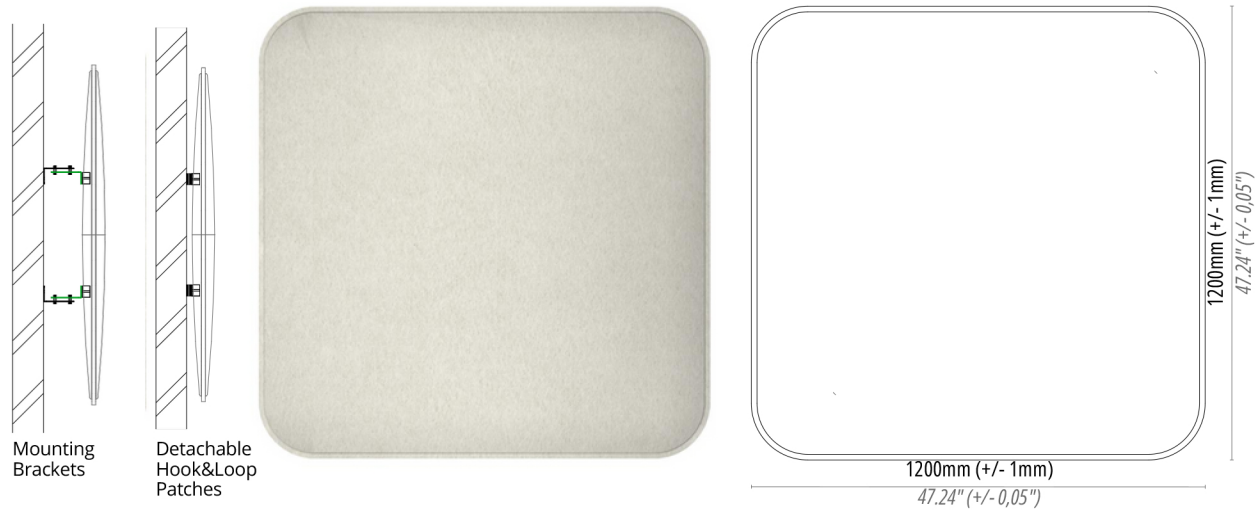


Frame Large

Sound-Absorbing Decorative Ceiling Pendant , Wall Panel & Divider

1200mm x 1200mm Thickness: 45mm

WALL



PRODUCT CODE / DESCRIPTION	Box Qty / m2	Inherent Colors	Color-IT Colors	Hook&Loop or Bracket
FLW-30AAN - Inherent Colors (Panel Only)	2 / 2.804 m2			
FLW-30VCN - Inherent Colors + Hook&Loop Patches	2 / 2.804 m2			
FLW-30MBN- Inherent Colors +Mounting Brackets	2 / 2.804 m2			
FLW-30AAC - Color-IT (Panel Only)	2 / 2.804 m2			
FLW-30VCC - Color-IT + Hook&Loop Patches	2 / 2.804 m2			
FLW-30MBC- Color-IT + Mounting Brackets	2 / 2.804 m2			

APPLICATION
Wall & Ceiling - Indoor use only

MATERIAL
Mechanical needled punch industrial felt.
100% PET up to 60% Recycled content & Recyclable

FIRE RATING
A Class (ASTM E84) - B s1 d0 (EN 13501-1)

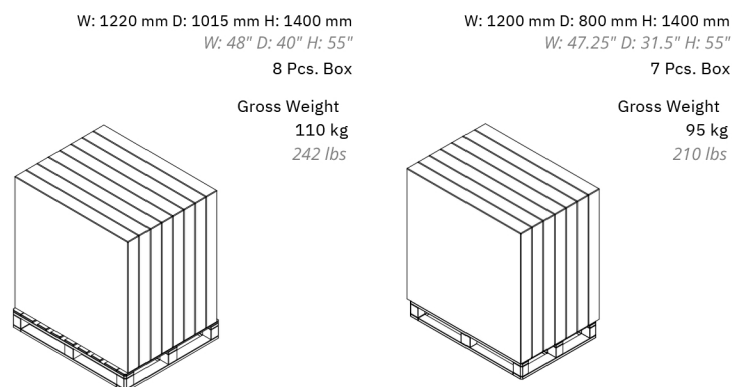
THERMAL INSULATION
0,035 W/mK

WEIGHT
1 unit: 4500 gr. +/- 10% tolerance
1 unit: 9.92 lbs with +/- 10% tolerance

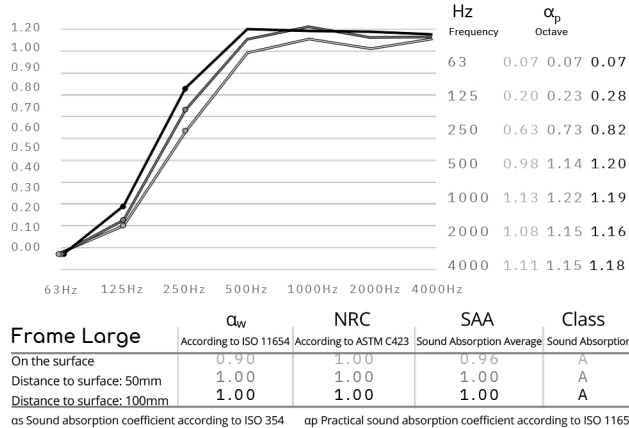
THICKNESS
Max. 45mm (+/- 2mm) - 1.77\" (+/-0.08\")
Min. 8mm (+/- 2mm) - 0.31\" (+/-0.08\")
Smooth Surface - Impact Resistance - Flexible

BOX SIZE & CONTENT
W: 1220 mm D: 1220 mm H: 120 mm
W: 48.03\" D: 48.03\" H: 4.72\"
1 Box: 2 x panels
1 Box: 2.842 m2
1 Box: 30.591 ft²
1 Color of choice per package
Gross weight: 12 kg
Gross weight: 26.45 lbs

PALETTE SIZE & CONTENT



ACOUSTIC PERFORMANCE



Frame Large

Sound-Absorbing Decorative Ceiling Pendant , Wall Panel & Divider

1200mm x 1200mm Thickness: 45mm

SOUND CLOUD



PRODUCT CODE / DESCRIPTION	Box Qty / m2	Inherent Colors	Color-IT Colors	Hng. Wires + Unifer Ring
FLH-30HSN - Inherent Colors + Hanging Set	2 / 2.842 m2			
FLH-30HSC - Color-IT + Hanging Set	2 / 2.842 m2			

ACOUSTIC PERFORMANCE

