

Oblong Large

Sound-Absorbing Decorative Ceiling Pendant , Wall Panel & Divider

1200mm x 1800mm Thickness: 45mm

WALL



PRODUCT CODE / DESCRIPTION	Box Qty / m2	Inherent Colors	Color-IT Colors	Hook&Loop or Bracket
OLW-30AAN - Inherent Colors (Panel Only)	2 / 4.280 m2			
OLW-30VCN - Inherent Colors + Hook&Loop Patches	2 / 4.280 m2			
OLW-30MBN- Inherent Colors + Mounting Brackets	2 / 4.280 m2			
OLW-30AAC - Color-IT (Panel Only)	2 / 4.280 m2			
OLW-30VCC - Color-IT + Hook&Loop Patches	2 / 4.280 m2			
OLW-30MBC- Color-IT + Mounting Brackets	2 / 4.280 m2			

APPLICATION
Wall & Ceiling - Indoor use only

MATERIAL
Mechanical needled punch industrial felt.
100% PET up to 60% Recycled content & Recyclable

FIRE RATING
A Class (ASTM E84) - B s1 d0 (EN 13501-1)

THERMAL INSULATION
0,035 W/mK

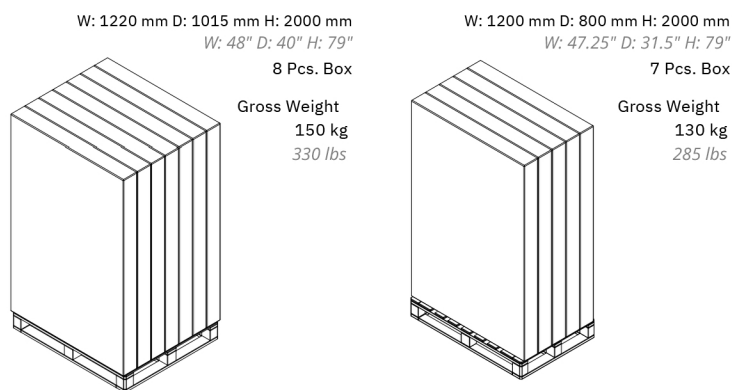
WEIGHT
1 unit: 6750 gr. +/- 10% tolerance
1 unit: 14.90 lbs with +/- 10% tolerance

THICKNESS
Max. 45mm (+/- 2mm) - 1.77" (+/- 0.08")
Min. 8mm (+/- 2mm) - 0.31" (+/- 0.08")
Smooth Surface - Impact Resistance - Flexible

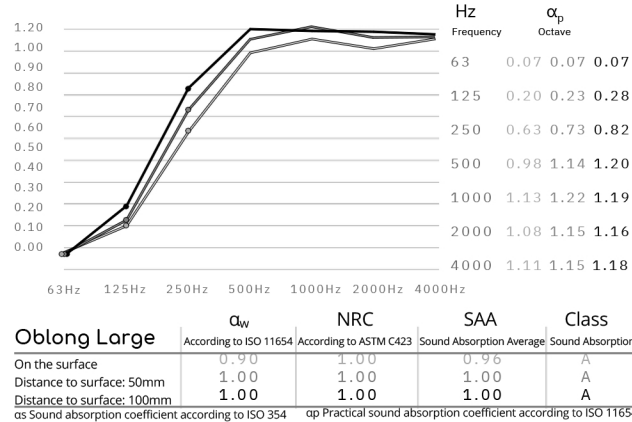
BOX SIZE & CONTENT
W: 1220 mm D: 1820 mm H: 120 mm
W: 48.03" D: 71.65" H: 4.72"

1 Box: 2 x panels
1 Box: 4.280 m2
1 Box: 46.069 ft²
1 Color of choice per package
Gross weight: 16 kg
Gross weight: 35.27 lbs

PALETTE SIZE & CONTENT



ACOUSTIC PERFORMANCE



Oblong Large

Sound-Absorbing Decorative Ceiling Pendant , Wall Panel & Divider

1200mm x 1800mm Thickness: 45mm

SOUND CLOUD



PRODUCT CODE / DESCRIPTION	Box Qty / m2	Inherent Colors	Color-IT Colors	Hng. Wires + Unifer Ring
OLH-30HSN - Inherent Colors + Hanging Set	2 / 4.280 m2			
OLH-30HSC - Color-IT + Hanging Set	2 / 4.280 m2			

ACOUSTIC PERFORMANCE

