

Rotund Large Sound-Absorbing Decorative Wall Panel

Ø: 1200mm x Thickness: 45mm

WALL



PRODUCT CODE / DESCRIPTION	Box Qty / m2	Inherent Colors	Color-IT Colors	Hook&Loop or Bracket
RLW-30AAN - Inherent Colors (Panel Only)	2 / 2.26 m2			
RLW-30VCN - Inherent Colors + Hook&Loop Patches	2 / 2.26 m2			
RLW-30MBN- Inherent Colors + Mounting Brackets	2 / 2.26 m2			
RLW-30AAC - Color-IT (Panel Only)	2 / 2.26 m2			
RLW-30VCC - Color-IT + Hook&Loop Patches	2 / 2.26 m2			
RLW-30MBC- Color-IT + Mounting Brackets	2 / 2.26 m2			

APPLICATION
Wall & Ceiling - Indoor use only

MATERIAL
Mechanical needled punch industrial felt.
100% PET up to 60% Recycled content & Recyclable

FIRE RATING
A Class (ASTM E84) - B s1 d0 (EN 13501-1)

THERMAL INSULATION
0,035 W/mK

WEIGHT
1 unit: 4000 gr. +/- 10% tolerance
1 unit: 8.81 lbs with +/- 10% tolerance

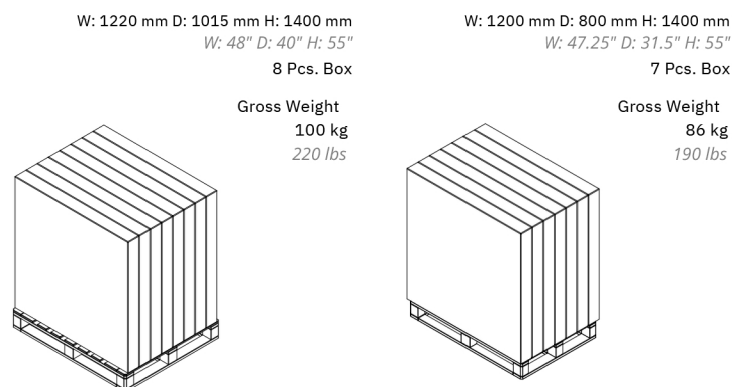
THICKNESS

 Max. 45mm (+/- 2mm) - 1.77" (+/-0.08")
 Min. 8mm (+/- 2mm) - 0.31" (+/-0.08")
 Smooth Surface - Impact Resistance - Flexible

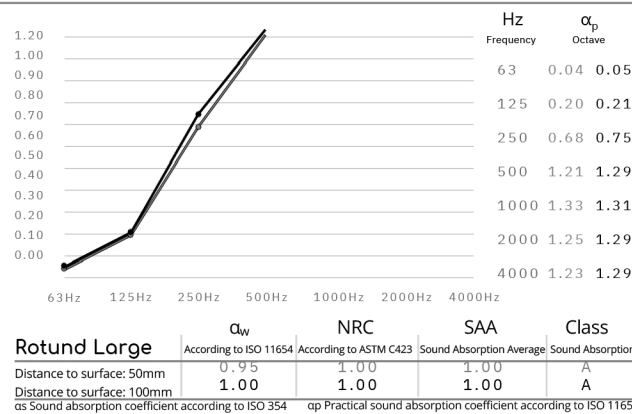
BOX SIZE & CONTENT
W: 1220 mm D: 1220 mm H: 120 mm
W: 48.03" D: 48.03" H: 4.72"

1 Box: 2 x panels
1 Box: 2.26 m2
1 Box: 24.32 ft²
1 Color of choice per package
Gross weight: 10 kg
Gross weight: 22.04 lbs

PALETTE SIZE & CONTENT



ACOUSTIC PERFORMANCE



Rotund Large Sound-Absorbing Decorative Ceiling Pendant

Ø: 1200mm x Thickness: 45mm

SOUND CLOUD



PRODUCT CODE / DESCRIPTION	Box Qty / m2	Inherent Colors	Color-IT Colors	Hng. Wires + Unifer Ring
RLH-30HSN - Inherent Colors + Hanging Set	2 / 2.26 m2			
RLH-30HSC - Color-IT + Hanging Set	2 / 2.26 m2			

ACOUSTIC PERFORMANCE

