

Cross

Dynamism and Simplicity

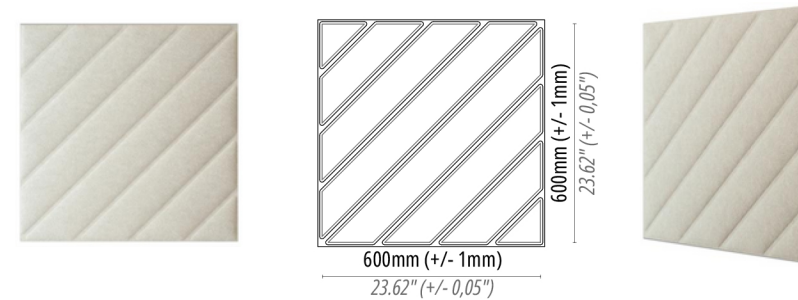
'Cross' features a versatile diagonal line pattern that enables creative installations through simple 90-degree rotations, allowing you to refresh aesthetics without additional patterns. This functionality not only enhances visual appeal but also offers limitless customization while ensuring consistent acoustic performance.



Cross

Sound-Absorbing Decorative Panel

600mm x 600mm x 13mm



		Inherent Colors	Color-IT Colors	Peel & Stick (Optional)
PRODUCT CODE / DESCRIPTION	Box Qty / m2			
CRS-20AAN - Inherent Colors (Panel Only)	12 / 4.32 m2			
CRS-20PSN - Inherent Colors + Peel & Stick	12 / 4.32 m2			
CRS-20AAC - Color-IT (Panel Only)	12 / 4.32 m2			
CRS-20PSC - Color-IT + Peel & Stick	12 / 4.32 m2			

APPLICATION

Wall & Ceiling - Indoor use only

MATERIAL

Mechanical needed punch industrial felt.

100% PET up to 60% Recycled content & Recyclable



Smooth Surface - Impact Resistance - Flexible

FIRE RATING

A Class (ASTM E84) - B s1 d0 (EN 13501-1)

THERMAL INSULATION

0,035 W/mK

WEIGHT

1 tile: 450 gr. +/- 10% tolerance

1 tile: 1 lb with +/- 10% tolerance

THICKNESS

Max. 13 mm (+/- 2 mm) - 0.51" (+/-0.08")

Min. 3 mm (+/- 2 mm) - 0.12" (+/-0.08")

BOX SIZE & CONTENT

W: 620 mm D: 660 mm H: 190 mm

W: 24.5" D: 26" H: 7.5"

1 Box: 12 x panels

1 Box: 4.32 m2

1 Box: 46.50 ft2

1 Color of choice per package

Gross weight: 6.8 kg

Gross weight: 15 lbs

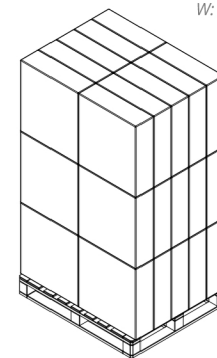


PALETTE SIZE & CONTENT

W: 1220 mm D: 1015 mm H: 2150 mm
W: 48" D: 40" H: 84.5"

30 Pcs. Box

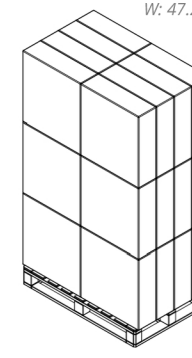
Gross Weight
227 kg
501 lbs



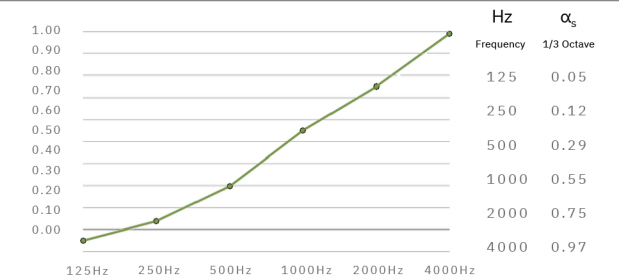
W: 1200 mm D: 800 mm H: 2150 mm
W: 47.25" D: 31.5" H: 84.5"

24 Pcs. Box

Gross Weight
182 kg
401 lbs



ACOUSTIC PERFORMANCE



Reference Product: Bold	alpha_w According to ISO 11654	NRC According to ASTM C423	SAA Sound Absorption Average	Class Sound Absorption
Cross	0.35	0.45	0.46	D

as Sound absorption coefficient according to ISO 354 ap Practical sound absorption coefficient according to ISO 11654