

Hex-One

Visual Depth and Acoustics

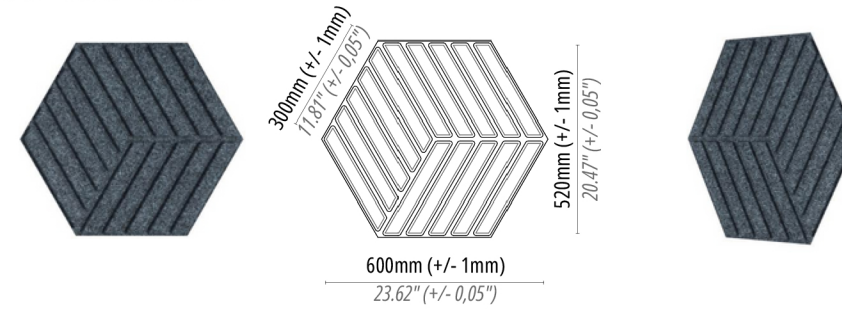
The unique hexagonal designs allow for versatile configurations and tessellation, creating a stunning visual impact while effectively managing sound. These panels create a striking three-dimensional effect that adds a dynamic and engaging element to both commercial and residential spaces. Beyond their aesthetic appeal, they effectively manage sound, enhancing acoustic comfort while transforming interiors into visually captivating environments.



Hex-One

Sound-Absorbing Decorative Panel

520mm x 600mm x 13mm



		Inherent Colors	Color-IT Colors	Peel & Stick (Optional)
PRODUCT CODE / DESCRIPTION	Box Qty / m2			
HXO-20AAN - Inherent Colors (Panel Only)	12 / 4.32 m2			
HXO-20PSN - Inherent Colors + Peel & Stick	12 / 4.32 m2			
HXO-20AAC - Color-IT (Panel Only)	12 / 4.32 m2			
HXO-20PSC - Color-IT + Peel & Stick	12 / 4.32 m2			

APPLICATION

Wall & Ceiling - Indoor use only

MATERIAL

Mechanical needled punch industrial felt.

100% PET up to 60% Recycled content & Recyclable



Smooth Surface - Impact Resistance - Flexible

FIRE RATING

A Class (ASTM E84) - B s1 d0 (EN 13501-1)

THERMAL INSULATION

0,035 W/mK

WEIGHT

1 tile: 400 gr. +/- 10% tolerance

1 tile: 0.88 lbs with +/- 10% tolerance

THICKNESS

Max. 13 mm (+/- 2 mm) - 0.51" (+/-0.08")
Min. 3 mm (+/- 2 mm) - 0.12" (+/-0.08")

BOX SIZE & CONTENT

W: 620 mm D: 660 mm H: 190 mm

W: 24.5" D: 26" H: 7.5"

1 Box: 12 x panels

1 Box: 3.744 m2

1 Box: 40.30 ft2

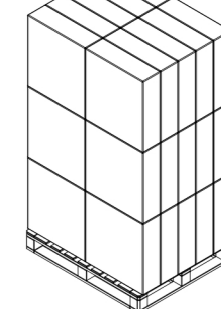
1 Color of choice per package

Gross weight: 6.0 kg

Gross weight: 13.22 lbs

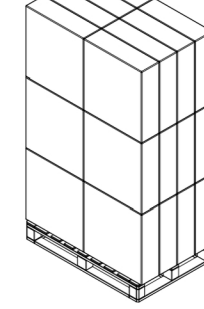
PALETTE SIZE & CONTENT

W: 1220 mm D: 1015 mm H: 2150 mm
W: 48" D: 40" H: 84.5"
30 Pcs. Box



Gross Weight
210 kg
463 lbs

W: 1200 mm D: 800 mm H: 2150 mm
W: 47.25" D: 31.5" H: 84.5"
24 Pcs. Box



Gross Weight
165 kg
364 lbs

ACOUSTIC PERFORMANCE

