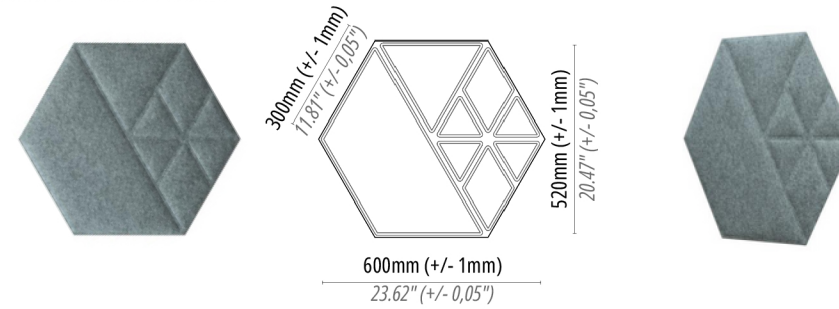


Onyxa
Visual Depth and Acoustics



Onyxa Form Sound-Absorbing Decorative Panel

520mm x 600mm x 13mm



		Inherent Colors	Color-IT Colors	Peel & Stick (Optional)
PRODUCT CODE / DESCRIPTION	Box Qty / m2			
OXF-20AAN - Inherent Colors (Panel Only)	12 / 4.32 m2			
OXF-20PSN - Inherent Colors + Peel & Stick	12 / 4.32 m2			
OXF-20AAC - Color-IT (Panel Only)	12 / 4.32 m2			
OXF-20PSC - Color-IT + Peel & Stick	12 / 4.32 m2			

APPLICATION

Wall & Ceiling - Indoor use only

MATERIAL

Mechanical needed punch industrial felt.

100% PET up to 60% Recycled content & Recyclable



Smooth Surface - Impact Resistance - Flexible

FIRE RATING

A Class (ASTM E84) - B s1 d0 (EN 13501-1)

THERMAL INSULATION

0,035 W/mK

WEIGHT

1 tile: 400 gr. +/- 10% tolerance

1 tile: 0.88 lbs with +/- 10% tolerance

THICKNESS

Max. 13 mm (+/- 2 mm) - 0.51" (+/-0.08")

Min. 3 mm (+/- 2 mm) - 0.12" (+/-0.08")

BOX SIZE & CONTENT

W: 620 mm D: 660 mm H: 190 mm

W: 24.5" D: 26" H: 7.5"

1 Box: 12 x panels

1 Box: 3.744 m2

1 Box: 40.30 ft2

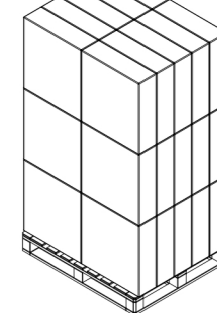
1 Color of choice per package

Gross weight: 6.0 kg

Gross weight: 13.22 lbs

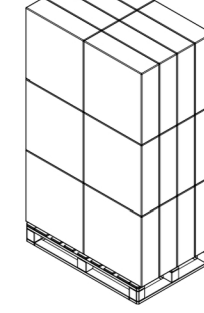
PALETTE SIZE & CONTENT

W: 1220 mm D: 1015 mm H: 2150 mm
W: 48" D: 40" H: 84.5"



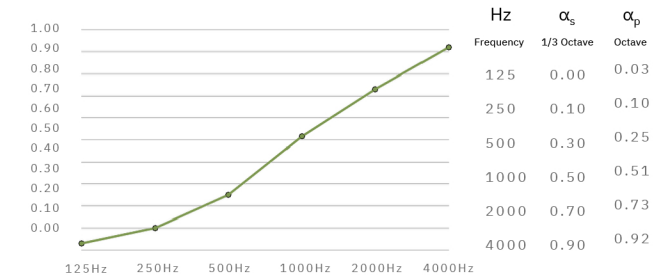
30 Pcs. Box
Gross Weight
210 kg
463 lbs

W: 1200 mm D: 800 mm H: 2150 mm
W: 47.25" D: 31.5" H: 84.5"



24 Pcs. Box
Gross Weight
165 kg
364 lbs

ACOUSTIC PERFORMANCE



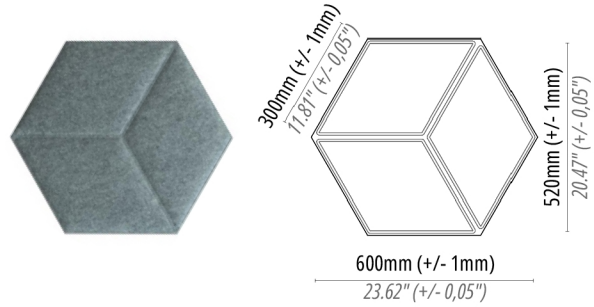
	α_w	NRC	SAA	Class
Reference Product: Bold	According to ISO 11654	According to ASTM C423	Sound Absorption Average	Sound Absorption
Onyxa Form	0,30	0,40	0,40	D

α_w Sound absorption coefficient according to ISO 354 α_p Practical sound absorption coefficient according to ISO 11654

Onyxa Trio

Sound-Absorbing Decorative Panel

520mm x 600mm x 13mm



PRODUCT CODE / DESCRIPTION	Box Qty / m2	Inherent Colors	Color-IT Colors	Peel & Stick (Optional)
OXT-20AAN - Inherent Colors (Panel Only)	12 / 4.32 m2			
OXT-20PSN - Inherent Colors + Peel & Stick	12 / 4.32 m2			
OXTT-20AAC - Color-IT (Panel Only)	12 / 4.32 m2			
OXT-20PSC - Color-IT + Peel & Stick	12 / 4.32 m2			

APPLICATION
Wall & Ceiling - Indoor use only

MATERIAL
Mechanical needled punch industrial felt.
100% PET up to 60% Recycled content & Recyclable

Smooth Surface - Impact Resistance - Flexible

FIRE RATING
A Class (ASTM E84) - B s1 d0 (EN 13501-1)

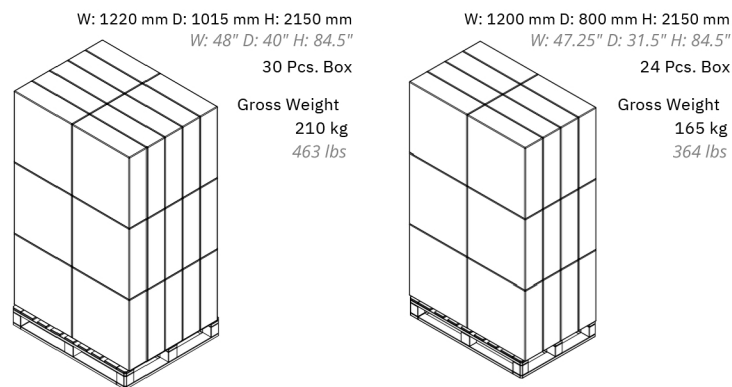
THERMAL INSULATION
0,035 W/mK

WEIGHT
1 tile: 400 gr. +/- 10% tolerance
1 tile: 0.88 lbs with +/- 10% tolerance

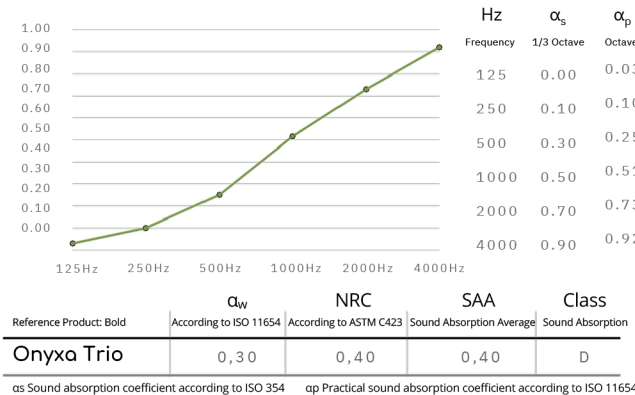
THICKNESS
Max. 13 mm (+/- 2 mm) - 0.51" (+/-0.08")
Min. 3 mm (+/- 2 mm) - 0.12" (+/-0.08")

BOX SIZE & CONTENT
W: 620 mm D: 660 mm H: 190 mm
W: 24.5" D: 26" H: 7.5"
1 Box: 12 x panels
1 Box: 3.744 m2
1 Box: 40.30 ft2
1 Color of choice per package
Gross weight: 6.0 kg
Gross weight: 13.22 lbs

PALETTE SIZE & CONTENT



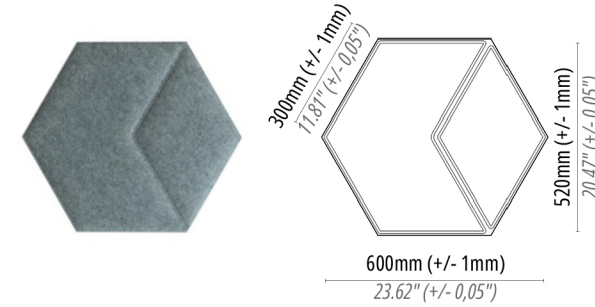
ACOUSTIC PERFORMANCE



Onyxa Duo

Sound-Absorbing Decorative Panel

520mm x 600mm x 13mm



PRODUCT CODE / DESCRIPTION	Box Qty / m2	Inherent Colors	Color-IT Colors	Peel & Stick (Optional)
OXD-20AAN - Inherent Colors (Panel Only)	12 / 4.32 m2			
OXD-20PSN - Inherent Colors + Peel & Stick	12 / 4.32 m2			
OXD-20AAC - Color-IT (Panel Only)	12 / 4.32 m2			
OXD-20PSC - Color-IT + Peel & Stick	12 / 4.32 m2			

APPLICATION
Wall & Ceiling - Indoor use only

MATERIAL
Mechanical needled punch industrial felt.
100% PET up to 60% Recycled content & Recyclable

Smooth Surface - Impact Resistance - Flexible

FIRE RATING
A Class (ASTM E84) - B s1 d0 (EN 13501-1)

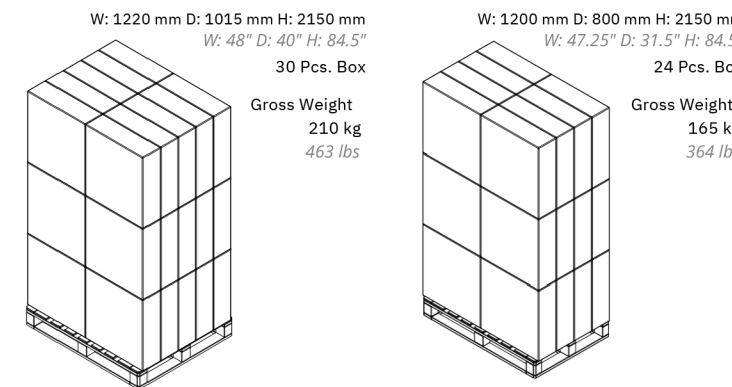
THERMAL INSULATION
0,035 W/mK

WEIGHT
1 tile: 400 gr. +/- 10% tolerance
1 tile: 0.88 lbs with +/- 10% tolerance

THICKNESS
Max. 13 mm (+/- 2 mm) - 0.51" (+/-0.08")
Min. 3 mm (+/- 2 mm) - 0.12" (+/-0.08")

BOX SIZE & CONTENT
W: 620 mm D: 660 mm H: 190 mm
W: 24.5" D: 26" H: 7.5"
1 Box: 12 x panels
1 Box: 3.744 m2
1 Box: 40.30 ft2
1 Color of choice per package
Gross weight: 6.0 kg
Gross weight: 13.22 lbs

PALETTE SIZE & CONTENT



ACOUSTIC PERFORMANCE

