

Plaid, Ridge & Bold

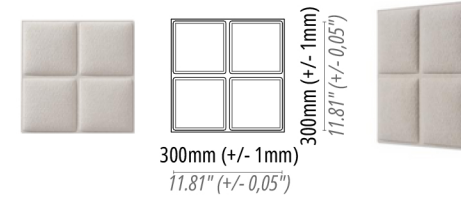
Holistic Aesthetic Appeal

The simple yet cohesive geometry of the Plaid, Ridge, and Bold models allows for versatile use as focal points or backdrops in architectural solutions. This coordinated grouping enhances holistic aesthetic appeal, optimizing both visual and user experiences to create silent, functional, and visually appealing spaces.



Plaid Sound-Absorbing Decorative Panel

300mm x 300mm x 13mm



		Inherent Colors	Color-IT Colors	Peel & Stick (Optional)
PRODUCT CODE / DESCRIPTION	Box Qty / m2			
PLD-20AAN - Inherent Colors (Panel Only)	40 / 4.32 m2			
PLD-20PSN - Inherent Colors + Peel & Stick	40 / 4.32 m2			
PLD-20AAC - Color-IT (Panel Only)	40 / 4.32 m2			
PLD-20PSC - Color-IT + Peel & Stick	40 / 4.32 m2			

APPLICATION

APPLICATION

Wall & Ceiling - Indoor use only

MATERIAL

Mechanical needled punch industrial felt.
100% PET up to 60% Recycled content & Recyclable



Smooth Surface - Impact Resistance - Flexible

FIRE RATING

A Class (ASTM E84) - B s1 d0 (EN 13501-1)

THERMAL INSULATION

0,035 W/mK

WEIGHT

1 tile: 112.5 gr. +/- 10% tolerance
1 tile: 0.25 lbs with +/- 10% tolerance

THICKNESS

Max. 13 mm (+/- 2 mm) - 0.51" (+/-0.08")
Min. 3 mm (+/- 2 mm) - 0.12" (+/-0.08")

BOX SIZE & CONTENT

W: 620 mm D: 660 mm H: 190 mm

W: 24.5" D: 26" H: 7.5"

1 Box: 48 x panels

1 Box: 4.32 m2 1 Box: 46.50 ft2

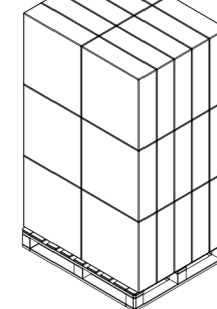
1 Color of choice per package

Gross weight: 6.8 kg Gross weight: 15 lbs



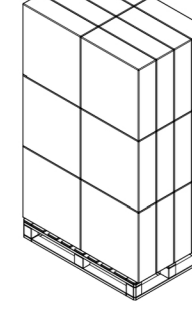
PALETTE SIZE & CONTENT

W: 1220 mm D: 1015 mm H: 2150 mm
W: 48" D: 40" H: 84.5"
30 Pcs. Box



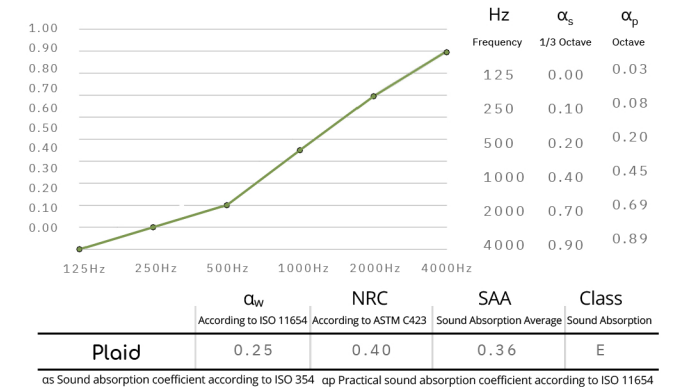
Gross Weight
227 kg
501 lbs

W: 1200 mm D: 800 mm H: 2150 mm
W: 47.25" D: 31.5" H: 84.5"
24 Pcs. Box



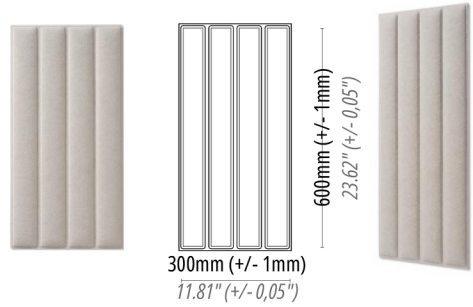
Gross Weight
182 kg
401 lbs

ACOUSTIC PERFORMANCE



Ridge Sound-Absorbing Decorative Panel

300mm x 600mm x 13mm



		Inherent Colors	Color-IT Colors	Peel & Stick (Optional)
PRODUCT CODE / DESCRIPTION	Box Qty /m2			
RDG-20AAN - Inherent Colors (Panel Only)	24 / 4.32 m2			
RDG-20PSN - Inherent Colors + Peel & Stick	24 / 4.32 m2			
RDG-20AAC - Color-IT (Panel Only)	24 / 4.32 m2			
RDG-20PSC - Color-IT + Peel & Stick	24 / 4.32 m2			

APPLICATION
Wall & Ceiling - Indoor use only

MATERIAL
Mechanical needled punch industrial felt.
100% PET up to 60% Recycled content & Recyclable

Smooth Surface - Impact Resistance - Flexible

FIRE RATING
A Class (ASTM E84) - B s1 d0 (EN 13501-1)

THERMAL INSULATION
0,035 W/mK

WEIGHT
1 tile: 225 gr. +/- 10% tolerance
1 tile: 0.50 lbs with +/- 10% tolerance

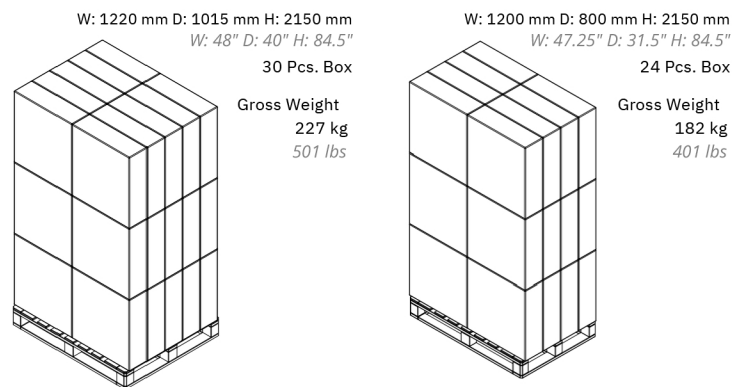
THICKNESS

Max. 13 mm (+/- 2 mm) - 0.51" (+/-0.08")
Min. 3 mm (+/- 2 mm) - 0.12" (+/-0.08")

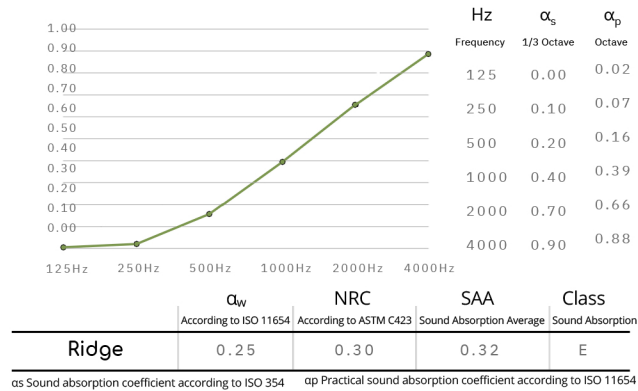
BOX SIZE & CONTENT

W: 620 mm D: 660 mm H: 190 mm
W: 24.5" D: 26" H: 7.5"
1 Box: 24 x panels
1 Box: 4.32 m2
1 Box: 46.50 ft²
1 Color of choice per package
Gross weight: 6.8 kg
Gross weight: 15 lbs

PALETTE SIZE & CONTENT

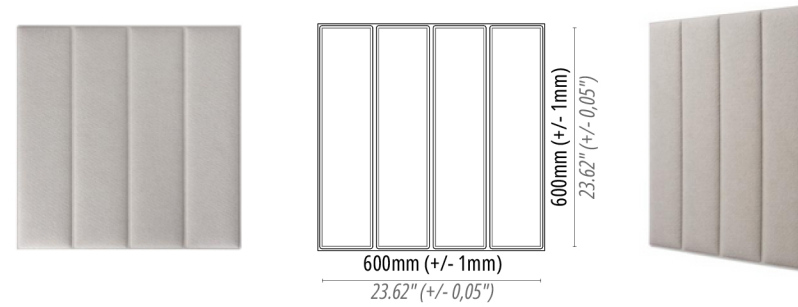


ACOUSTIC PERFORMANCE



Bold Sound-Absorbing Decorative Panel

600mm x 600mm x 13mm



		Inherent Colors	Color-IT Colors	Peel & Stick (Optional)
PRODUCT CODE / DESCRIPTION	Box Qty /m2			
BLD-20AAN - Inherent Colors (Panel Only)	12 / 4.32 m2			
BLD-20PSN - Inherent Colors + Peel & Stick	12 / 4.32 m2			
BLD-20AAC - Color-IT (Panel Only)	12 / 4.32 m2			
BLD-20PSC - Color-IT + Peel & Stick	12 / 4.32 m2			

APPLICATION
Wall & Ceiling - Indoor use only

MATERIAL
Mechanical needled punch industrial felt.
100% PET up to 60% Recycled content & Recyclable

Smooth Surface - Impact Resistance - Flexible

FIRE RATING
A Class (ASTM E84) - B s1 d0 (EN 13501-1)

THERMAL INSULATION
0,035 W/mK

WEIGHT
1 tile: 450 gr. +/- 10% tolerance
1 tile: 1 lb with +/- 10% tolerance

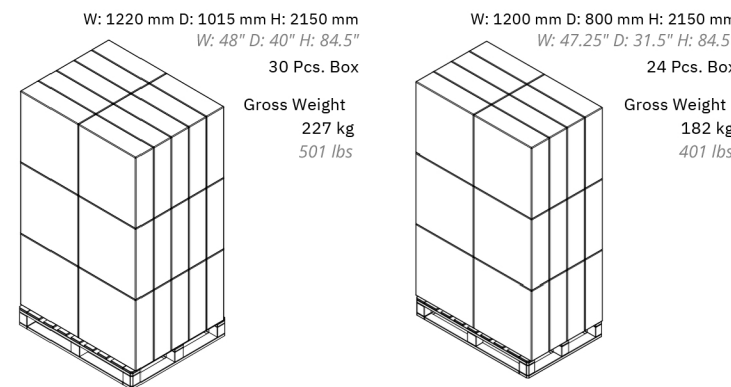
THICKNESS

Max. 13 mm (+/- 2 mm) - 0.51" (+/-0.08")
Min. 3 mm (+/- 2 mm) - 0.12" (+/-0.08")

BOX SIZE & CONTENT

W: 620 mm D: 660 mm H: 190 mm
W: 24.5" D: 26" H: 7.5"
1 Box: 12 x panels
1 Box: 4.32 m2
1 Box: 46.50 ft²
1 Color of choice per package
Gross weight: 6.8 kg
Gross weight: 15 lbs

PALETTE SIZE & CONTENT



ACOUSTIC PERFORMANCE

